



# RESIDENTIAL PLASTIC TOILET SEAT

MODEL #

COLOR #

## 1200SLOWT

### DESCRIPTION :

Closed front with cover, elongated, heavy weight injection molded solid plastic toilet seat. Features four, large molded-in bumpers, Whisper•Close® with Easy•Clean & Change™ color-matched hinges with STA-TITE® Residential Fastening System™. Seat contains DuraGuard®\* an antimicrobial agent. This seat meets or exceeds Residential ANSI Standard Z-124.5.

\* DuraGuard® is available on certain colors only, see Bemis Price List for additional information.

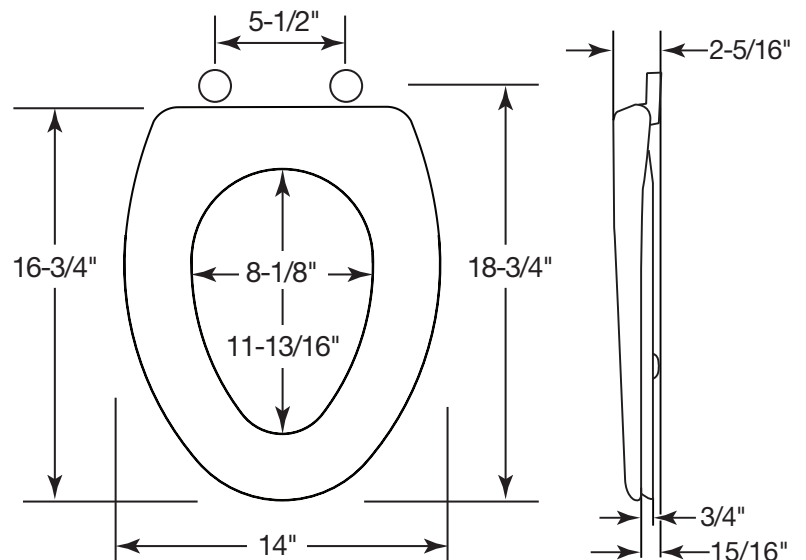
### SPECIFICATIONS :

|                   |  |
|-------------------|--|
| Size:             | Elongated  |
| Material:         | Plastic  |
| Style:            | Closed Front with Cover                          |
| Bumpers:          | Four   |
| Hinges:           | Plastic Whisper•Close® with Easy•Clean & Change™ |
| Fastening System: | STA-TITE® Residential Fastening System™          |

### FEATURES :

- Whisper•Close®
- Easy•Clean & Change™
- STA-TITE® Residential Fastening System™
- DuraGuard® Antimicrobial

### DIMENSIONS :



TWIST HINGE TO UNLOCK



EASY REMOVAL OF SEAT FOR THOROUGH CLEANING



WHISPER•CLOSE® FEATURE



STA-TITE® HARDWARE

